

BEVERAGE CONTAINER, MODEL GB-5T/GB-6T

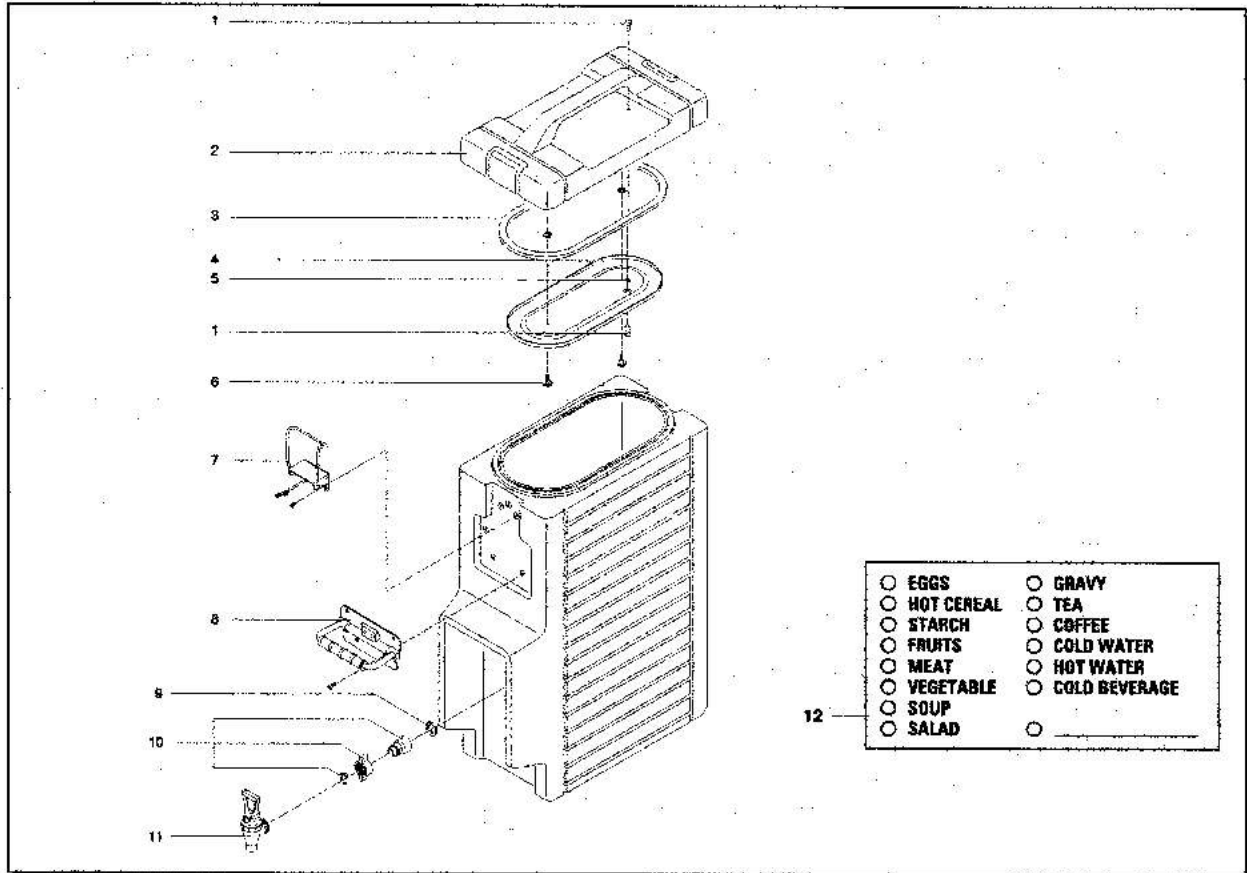
REPLACEMENT PARTS LIST

Occasionally parts will wear out or become lost. Accordingly, replacement parts are available from the Sint-Plast USA Distributor, K.C. Trading Ltd., Cage Code 1P9K9

Phone: (540) 720-8400

Fax: (540) 720-7077

E-mail: kcctrading@aol.com or over our web site at <http://www.kcctrading.com>



List of Components

FIG-KEY	STOCK NUMBER	ITEM IDENTIFICATION	U/I	QTY
1	292.9413.10	Valve, Ventilation	EA	2
2	296.1229.00	Lid, Rotation Molded, NATO-green	EA	1
	296.1229.01	Lid, Rotation Molded, blue	EA	1
	296.1229.02	Lid, Rotation Molded, sand-yellow	EA	1
	296.1229.03	Lid, Rotation Molded, turquoise-green	EA	1
3	294.5119.00	Gasket Seal, Lid	EA	1
4	296.1407.00	Lid, Stainless Steel insert	EA	1
5	735.3108.07	Valve fixation, Ventilation	EA	1
6	292.2362.10	Screw, Stainless Steel, M4x10	EA	2
7	296.3349.10	Clamp, Pullover, Stainless Steel	EA	2
8	292.8504.05	Handle, Stainless Steel	EA	2
9	292.9460.10	Seal, Tap	EA	1
10	292.9452.90	Tap adapter	EA	1
11	296.3829.00	Vent Tap, Tomlinson	EA	1
12	294.5203.02	Label, Self Adhesive, Roll, 250 Labels	RO	1
	820.9503.61	Operation Manual GB-5T, GB-6T	EA	1

Dometic s.à.r.l.
 op der Hei, 17
 L - 9809 Hosingen
 LUXEMBOURG

phone: +352 920731 1
 fax: +352 920731 300
 email: sintplast@dometic.lu



K.C. Trading, Ltd.
 Mr. Charles Velez
 phone: +1 540 720 8400
 fax: +1 540 720 7077
 email: kcctrading@aol.com



BEVERAGE CONTAINER, MODEL GB-5T/GB-6T OPERATION AND MAINTENANCE SHEET

Procedures for Optimum Temperature Holding & Performance

Preheating of the container is unnecessary, however, for optimum performance the following steps are recommended.

- Fill container with boiling water 30 minutes prior to inserting desired HOT beverage. For cold beverages chill the container in a refrigerator, freezer, or by filling the container with chilled water.
- Place the desired beverage inside the stainless steel liner and fill till the liner is full.
- Secure the lid to the container as quickly as possible.
- Using the provided labels, mark the contents of each container.

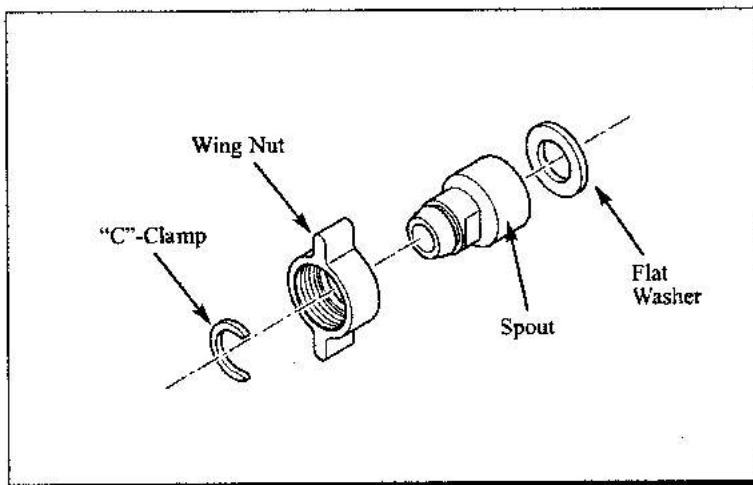
Note! The GB-5T / GB-6T contains a non adjustable vent plug. No adjustments are necessary!

Care & Cleaning

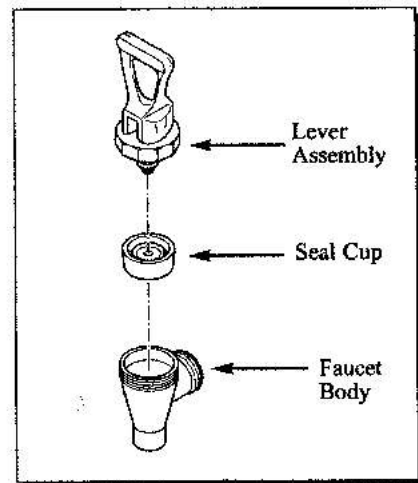
- Clean the container before first and after each use by using a neutral detergent.
- Remove faucet and gasket for cleaning regularly. Clean faucet and gasket with a neutral detergent and a thin barrel brush.
- Reassemble the gasket after complete drying.
- Reassemble faucet according to the directions listed below. Careful assembly will prevent leaking and trouble free use.

Spigot Assembly Instructions

- Place flat washer in groove at the end of the spout.
- Insert spout into the container.
- Place wingnut over spout.
- Insert "C"-clamp in groove provided.
- Affix the faucet to the end of the spout and tighten wingnut.



Spigot Assembly



Faucet Assembly