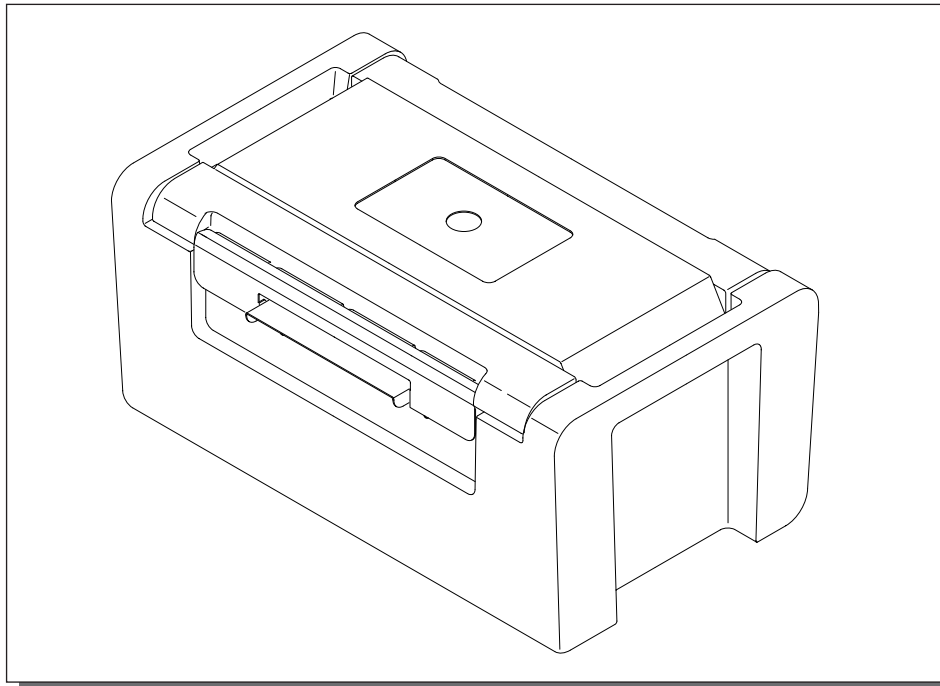


FOOD CONTAINER, MODEL GB-7

OPERATION & MAINTENANCE SHEET



Procedures for Optimum Temperature Holding & Performance

Preheating of the container is unnecessary; however, for optimum performance the following steps are recommended.

- Fill container with boiling water 30 minutes prior to inserting desired HOT food. For cold food chill the container in a refrigerator, freezer, or by filling the container with chilled water.
- Place the desired food inside the stainless steel liner and fill till the liner is full.
- Secure the inner & outer lid to the container as quickly as possible.
- Using the provided labels, mark the contents of each container.
- Note : Non-prepackaged (processed) food must be stored in Gastronorm-containers with sealed lid.

Care & Cleaning

- Clean the container before first and after each use by using a neutral detergent.
- Remove gasket for cleaning regularly. Clean gasket with a neutral detergent and a thin barrel brush.
- Container may be run through a dishwasher with no adverse effects to the components. Remove gasket from outer lid before washing in a dishwasher.
- Allow unit to air dry after cleaning and reassemble unit.

FOOD CONTAINER

MODEL GB-7, NATO-GREEN, NSN 7330-01-484-8988

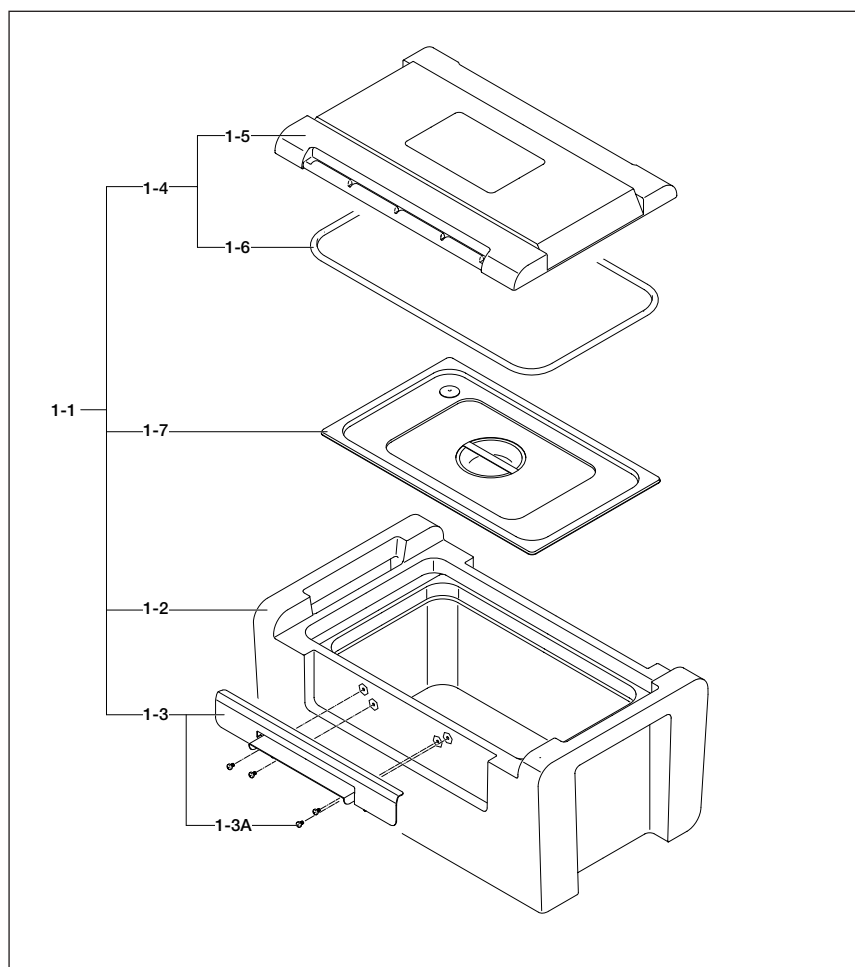
REPLACEMENT PARTS LIST

Occasionally parts will wear out or become lost. Accordingly, replacement parts are available from the Sint-Plast USA Distributor, K.C. Trading Ltd., Cage Code 1P9K9,

Phone : (540) 720-8400,

Fax: (540) 720-7077,

E-mail: kctrading@aol.com or over our web site at <http://www.kctrading.com>



- | | |
|----------------------------------|-------------------------------------|
| <input type="radio"/> EGGS | <input type="radio"/> GRAVY |
| <input type="radio"/> HOT CEREAL | <input type="radio"/> TEA |
| <input type="radio"/> STARCH | <input type="radio"/> COFFEE |
| <input type="radio"/> FRUITS | <input type="radio"/> COLD WATER |
| <input type="radio"/> MEAT | <input type="radio"/> HOT WATER |
| <input type="radio"/> VEGETABLE | <input type="radio"/> COLD BEVERAGE |
| <input type="radio"/> SOUP | |
| <input type="radio"/> SALAD | <input type="radio"/> _____ |

1-8

List of Components

ITEM NO.	STOCK NUMBER	NSN	FIG-KEY	ITEM IDENTIFICATION	U/I	QTY
1	991.5417.03	7330-01-484-8988	1-1	Container, Food, Molded In Stainless Steel Liner, NATO-green	EA	1
2	296.1110.10	7330-01-490-0720	1-2	Container, Lower Half, Stainless Steel Liner, NATO-green	EA	1
3	296.3349.20	5340-01-487-6092	1-3	Clamp, Pullover, Stainless Steel	EA	2
4	724.1323.40		1-3A	Screw, Stainless Steel, M5x8	EA	8
5	296.1203.91	7330-01-490-0718	1-4	Lid Assembly, Outer, With Gasket, NATO-green	EA	1
6	296.1203.01	N/A Use .91 ONLY	1-5	Lid, Outer, NATO-green	EA	1
7	294.5101.20	5330-01-487-6529	1-6	Gasket, Seal, Outer Lid	EA	1
8	296.1407.20	7330-01-490-0719	1-7	Lid, Inner, Stainless Steel, With Gasket	EA	1
9	294.5203.02	7690-01-487-5813	1-8	Label, Self Adhesive, Roll, 250 Labels	RO	1
10	820.9503.28			Operation Manual GB-7 NATO-green	EA	1

Dometic s.à.r.l.

op der Hei, 17
L - 9809 Hosingen
LUXEMBOURG

phone +352 920731 1
fax +352 920731 300
email sintplast@dometic.lu



K.C. Trading Ltd

Mr. Charles VELEZ
phone : +1 540 720 8400
fax : +1 540 720 7077
email kctrading@aol.com