

# BEVERAGE CONTAINER, 3 GALLON, MODEL GB-3 OPERATION & MAINTENANCE SHEET

## Procedures for Optimum Temperature Holding & Performance

Preheating of the container is unnecessary, however, for optimum performance the following steps are recommended.

- Fill container with boiling water 30 minutes prior to inserting desired HOT beverage. For cold beverages chill the container in a refrigerator, freezer, or by filling the container with chilled water.
- Place the desired beverage inside the stainless steel liner and fill till the liner is full.
- Secure the lid to the container as quickly as possible.
- Using the provided labels, mark the contents of each container.

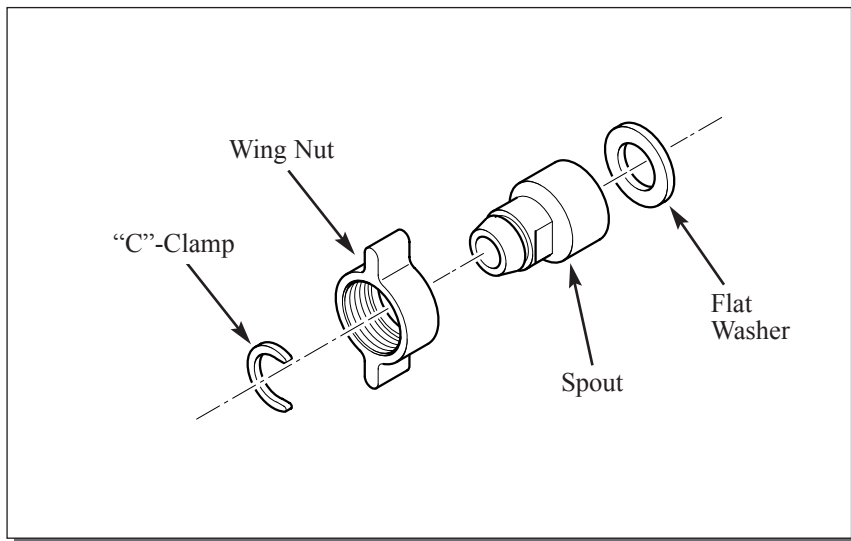
Note! The GB-3 contains a non adjustable vent plug. No adjustments are necessary!

## Care & Cleaning

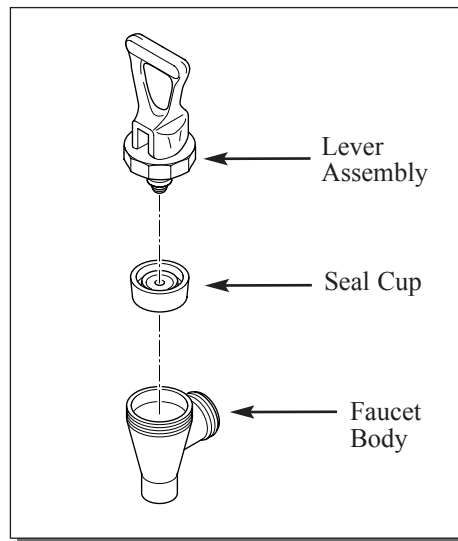
- Clean the container before first and after each use by using a neutral detergent.
- Remove faucet and gasket for cleaning regularly. Clean faucet and gasket with a neutral detergent and a thin barrel brush.
- Reassemble the gasket after complete drying.
- Reassemble faucet according to the directions listed below. Careful assembly will prevent leaking and trouble free use.

## Spigot Assembly Instructions

- Place flat washer in groove at the end of the spout.
- Insert spout into the container.
- Place wingnut over spout.
- Insert "C"-clamp in groove provided.
- Affix the faucet to the end of the spout and tighten wingnut.



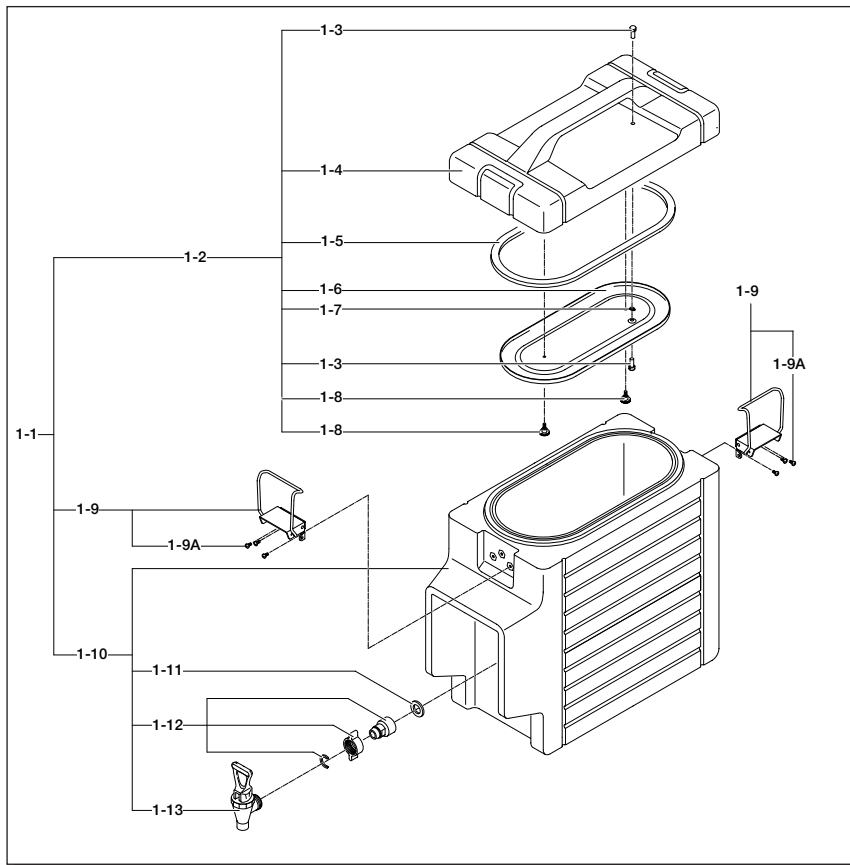
**Spigot Assembly**



**Faucet Assembly**

# BEVERAGE CONTAINER, 3 GALLON MODEL GB-3, NATO-GREEN, NSN 7330-01-484-6756 REPLACEMENT PARTS LIST

Occasionally parts will wear out or become lost. Accordingly, replacement parts are available from the Sint-Plast USA Distributor, K.C. Trading Ltd., Cage Code 1P9K9,  
Phone: (540) 720-8400,  
Fax: (540) 720-7077,  
E-mail: [kctrading@aol.com](mailto:kctrading@aol.com) or over our web site at <http://www.kctrading.com>



- |                                  |                                     |
|----------------------------------|-------------------------------------|
| <input type="radio"/> EGGS       | <input type="radio"/> GRAVY         |
| <input type="radio"/> HOT CEREAL | <input type="radio"/> TEA           |
| <input type="radio"/> STARCH     | <input type="radio"/> COFFEE        |
| <input type="radio"/> FRUITS     | <input type="radio"/> COLD WATER    |
| <input type="radio"/> MEAT       | <input type="radio"/> HOT WATER     |
| <input type="radio"/> VEGETABLE  | <input type="radio"/> COLD BEVERAGE |
| <input type="radio"/> SOUP       | <input type="radio"/> _____         |
| <input type="radio"/> SALAD      |                                     |

1-14

## List of Components

ITEM NO.	STOCK NUMBER	NSN	FIG-KEY	ITEM IDENTIFICATION	U/I	QTY
1	991.5437.14	7330-01-484-6756	1-1	Container, Beverage, 3 Gallon, NATO-green	EA	1
2	296.1211.03	7330-01-490-0722	1-2	Lid Assembly, NATO-green	EA	1
3	292.9413.10	4820-01-487-5787	1-3	Valve, Ventilation	EA	2
4	296.1211.13	N/A Use .03 ONLY	1-4	Lid, Rotation Molded, NATO-green	EA	1
5	294.5119.00	5330-01-487-6411	1-5	Gasket Seal, Lid	EA	1
6	296.1407.00	7330-01-490-0723	1-6	Lid, Stainless Steel insert	EA	1
7	735.3108.07	4820-01-487-5786	1-7	Valve fixation, Ventilation	EA	1
8	292.2362.10	5305-01-487-5798	1-8	Screw, Stainless Steel, M4x10	EA	2
9	296.3349.10	5340-01-487-5808	1-9	Clamp, Pullover, Stainless Steel	EA	2
10	724.1287.40		1-9A	Screw, Stainless Steel. M4x8	EA	6
11	296.1121.94	7330-01-490-0721	1-10	Container, Lower Half, NATO-green	EA	1
12	292.9460.10	5330-01-487-5815	1-11	Seal, Tap	EA	1
13	292.9452.90	4730-01-487-5803	1-12	Tap adapter	EA	1
14	296.3829.00	4510-01-487-6523	1-13	Vent Tap, Tomlinson	EA	1
15	294.5203.02	7690-01-487-5813	1-14	Label, Self Adhesive, Roll, 250 Labels	RO	1
16	820.9503.27			Operation Manual GB3 NATO-green	EA	1

**Dometic** s.à.r.l.

op der Hei, 17  
L - 9809 Hosingen  
LUXEMBOURG

phone +352 920731 1  
fax +352 920731 300  
email [sintplast@dometic.lu](mailto:sintplast@dometic.lu)



**K.C. Trading Ltd**

Mr. Charles VELEZ  
phone : +1 540 720 8400  
fax : +1 540 720 7077  
email [kctrading@aol.com](mailto:kctrading@aol.com)